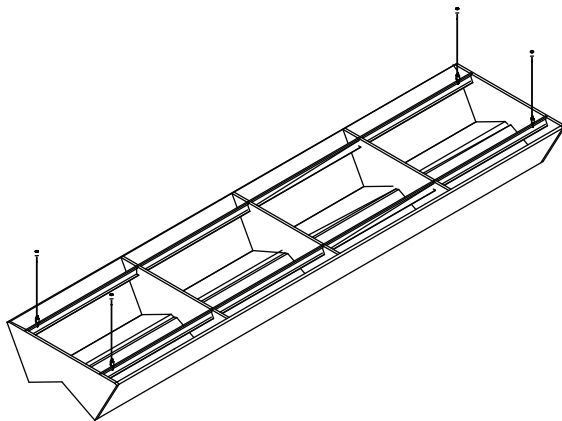


Summit

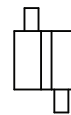
PARTS:



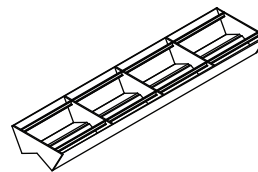
Brass Locator



Top Cap
(4m Cable Included)



Gripper

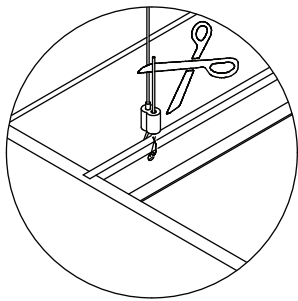
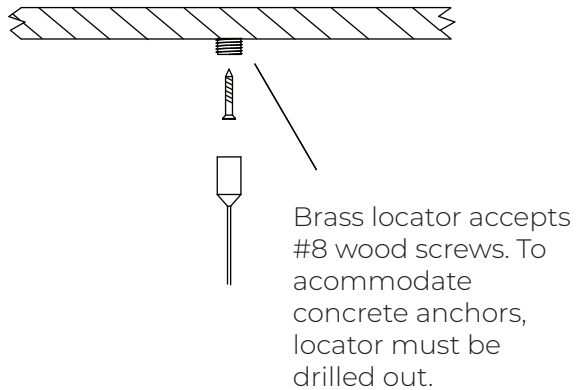


Summit Baffle

Images reflect typical hardware
Options. Please refer to packing list or
Items & quantities specific to your order.

Thank you for your order!

For questions or concerns regarding your order or installation
please contact your local customer service.
Canada: 1-844-441-1122 or Sales@ayrsonics.com



1. Locate available suspension points on ceiling in relation to Summit Cloud suspension locations
2. Mount brass locators securely onto ceiling with substrate appropriate fasteners (not included.)
For ACT applications, wood backers needed.
3. Thread top caps onto brass locator by hand only
4. Thread suspended cable through one side of cable gripper, through t-bar, and back through opposite side of cable gripper (Depress top/bottom nozzles to allow cable insertion; release to lock)
5. Level Summit Cloud using cable grippers and trim excess cable.

Recommended Tools

Drill
Laser
Level
Allen Key
Tape Measure