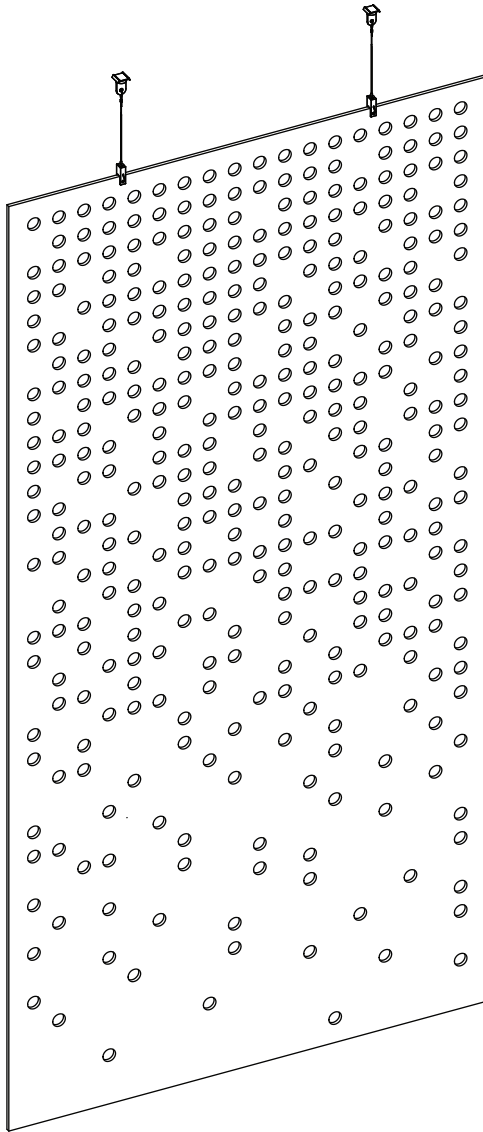


## T-BAR CLIP



WORK ZONE  
DIVIDER



CABLE



T BAR CLIP



PUSH CLIPS



WIRE CRIMPS

\*Images reflect typical hardware options. Please refer to packing list for items & quantities specific to your order.

**Thank you for your order!**

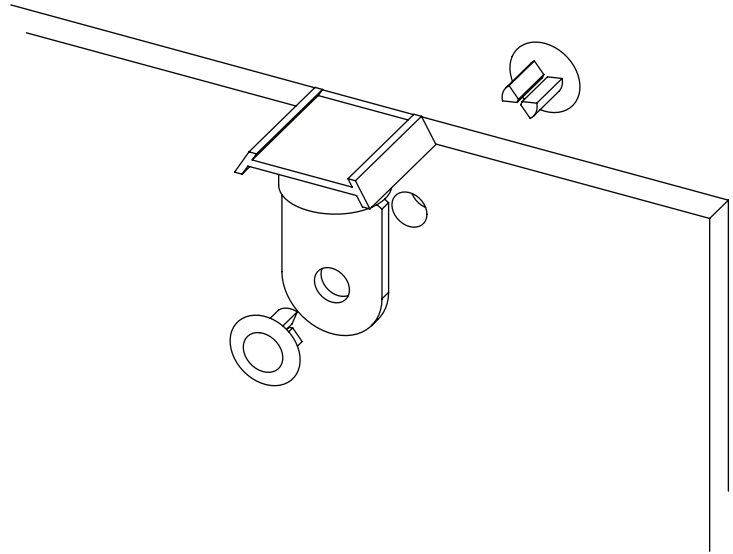
For questions or concerns regarding your order or installation please contact customer service at 1-844-441-1122 or via email at [sales@ayrsonics.com](mailto:sales@ayrsonics.com) (Canada) or [info@usa.ayrsonics.com](mailto:info@usa.ayrsonics.com) (USA)

[www.ezobord.com](http://www.ezobord.com)

# T-BAR CLIP DIRECT MOUNT/SUSPENDED

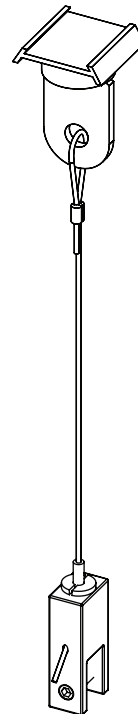
## DIRECT MOUNT

- 1 Locate pickpoint locations on both ceiling and product
- 2 Mark and drill pilot hole into Ezo product
- 3 Fasten T-bar clip onto product using one pair of push clips
- 4 Snap T-bar clip onto ceiling grid T-bar



## SUSPENDED

- 1 Loop one end of wire through the hole in the T-bar clip
- 2 Using crimpers (not supplied) crimp the wire together with supplied crimp
- 3 Attach wire to product hardware (as per product instructions)
- 4 Snap T-bar clip onto ceiling grid T-bar



### Recommended Tools

Drill  
Crimper  
Tape Measure

ezoBord™

Design Driven Acoustics