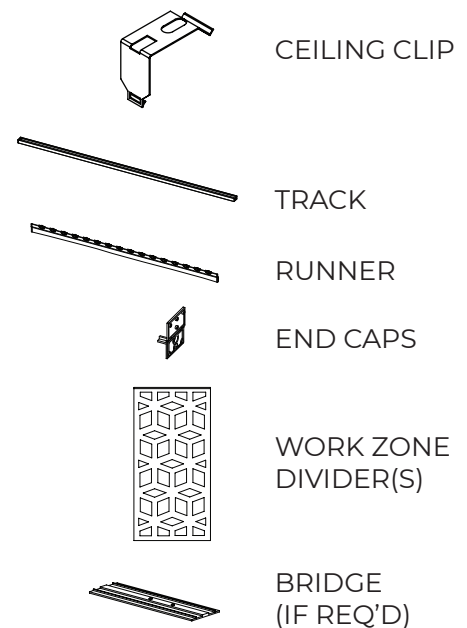
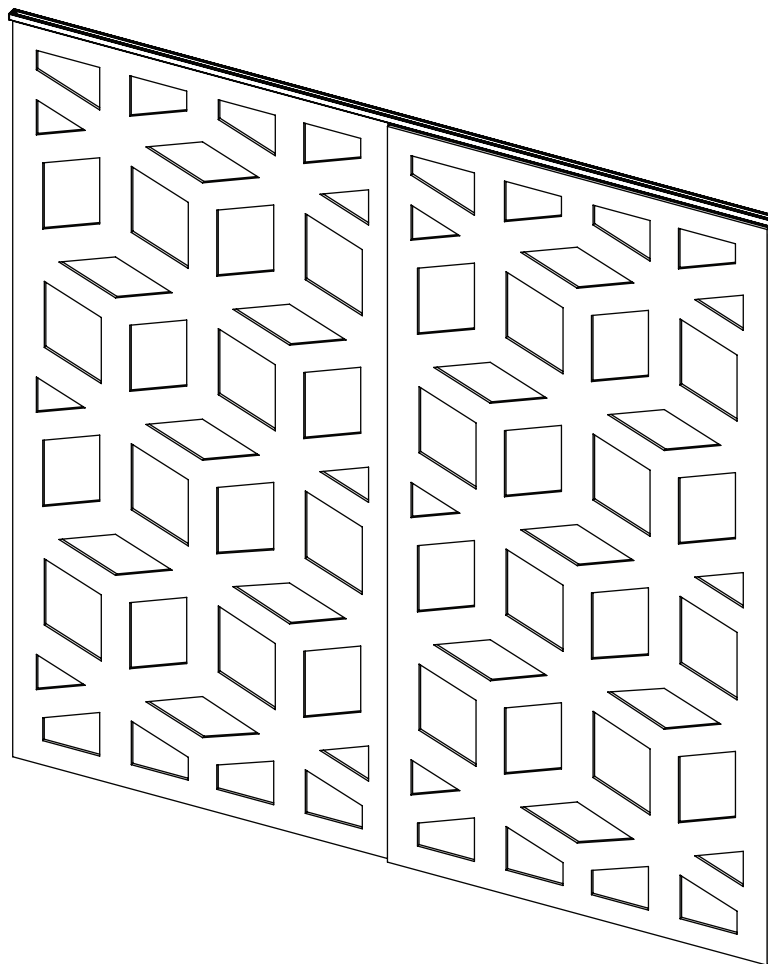


SLIDING TRACK



*Images reflect typical hardware options. Please refer to packing list for items & quantities specific to your order.

Thank you for your order!

For questions or concerns regarding your order or installation
please contact customer service at 1-844-441-1122 or
via email at sales@ayrsonics.com (Canada) or info@usa.ayrsonics.com (USA)

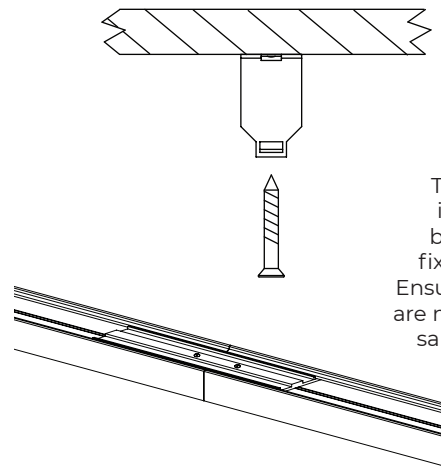
www.ezobord.com

WORK ZONE DIVIDER SLIDING TRACK

1 Determine track locations and locate bracket positions. Install bracket to ceiling using substrate appropriate hardware (not included)

*Bracket location is recommended 4" inset from ends and every ~8" between

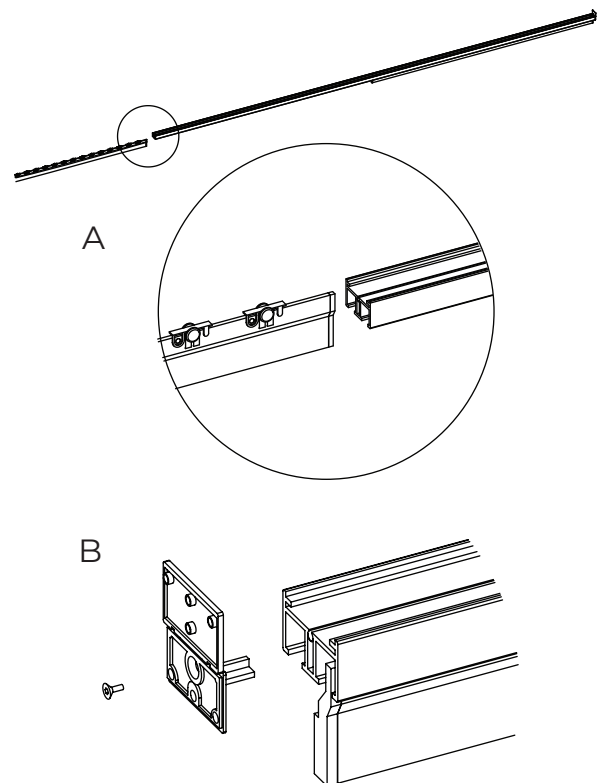
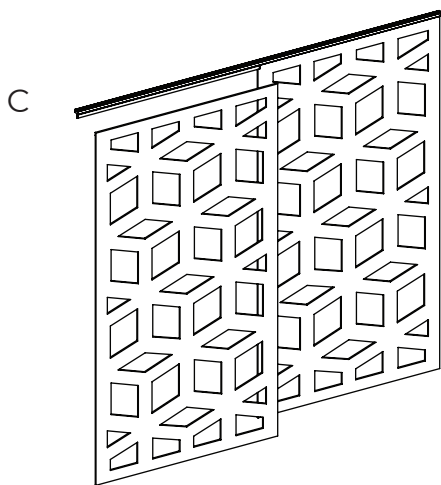
2 If required install supplied bridge between sections of track to extend track to full length



Track 'clicks' into ceiling bracket once fixed to ceiling. Ensure all brackets are mounted facing same direction.

3 Slide track onto mounted brackets (A) and secure end caps onto track ends (B)

4 Install Work Zone Divider onto track using velcro preinstalled on runners and ezoBord panels (C)



Recommended Tools

Drill
Laser
Level
Allen Key
Tape Measure

ezoBord™
Design Driven Acoustics