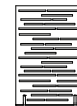
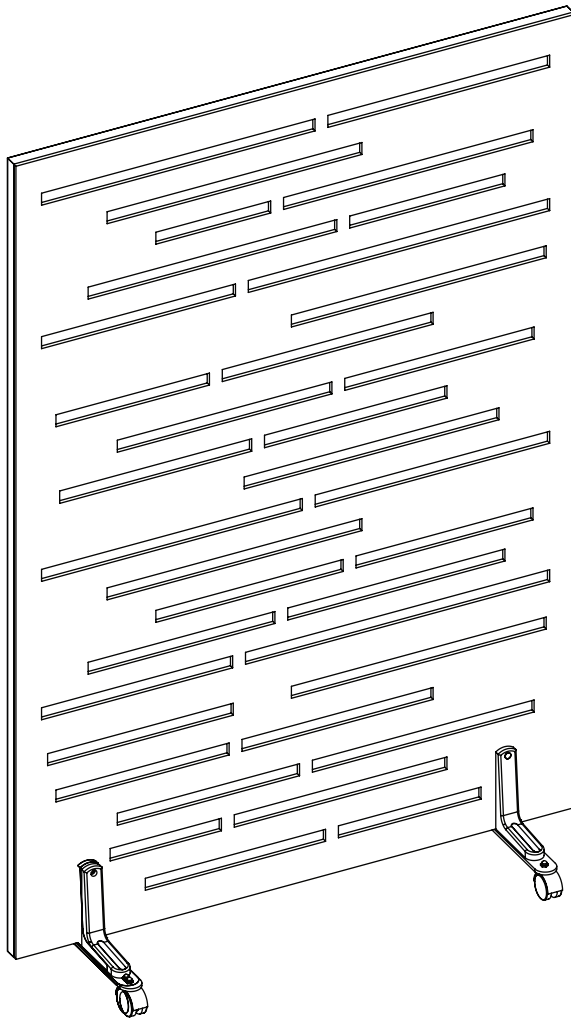


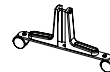


Design Driven Acoustics

## OBI MOBILE OFFICE DIVIDER



OBI PANEL



OBI BASE

\*Images reflect typical hardware options. Please refer to packing list for items & quantities specific to your order.

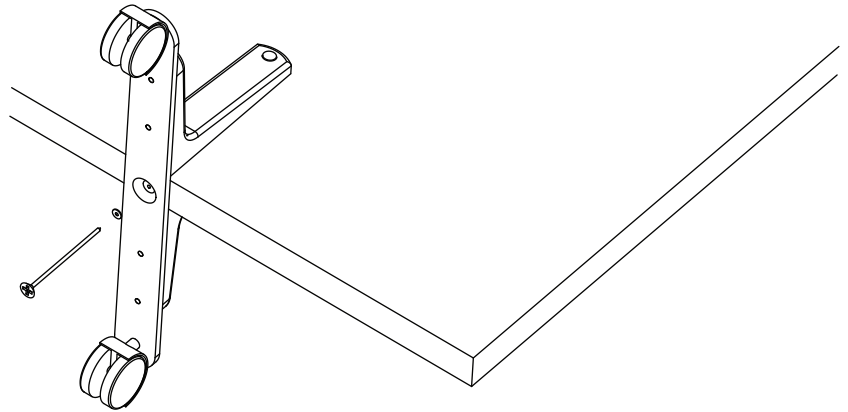
**Thank you for your order!**

For questions or concerns regarding your order or installation please contact customer service at 1-844-441-1122 or via email at [sales@ayrsonics.com](mailto:sales@ayrsonics.com) (Canada) or [info@usa.ayrsonics.com](mailto:info@usa.ayrsonics.com) (USA)

[www.ezobord.com](http://www.ezobord.com)

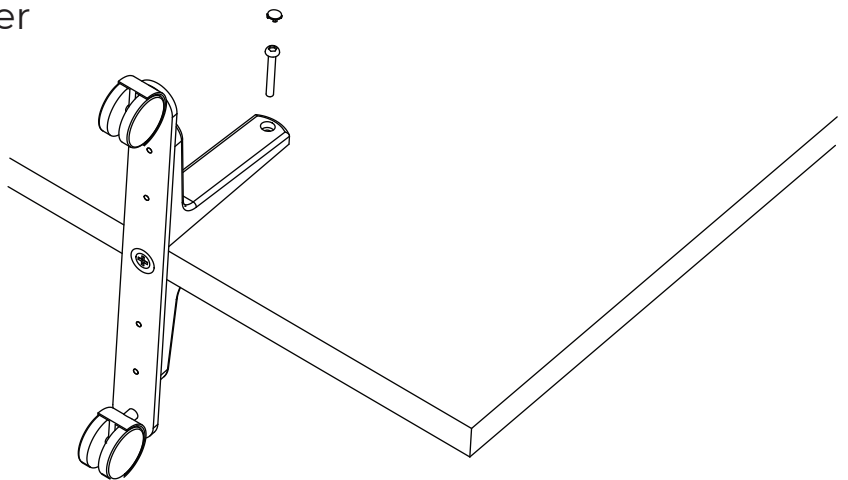
# OBI MOBILE OFFICE DIVIDER ASSEMBLY

**1** Align mounting hole of Obi base with pre-drilled hole on base of divider and attach using supplied washer and screw



**2** Thread supplied bolt through top of Obi base and pre-drilled hole in divider and tighten

**3** Using two people, lift divider into upright position



**Recommended Tools**  
Drill

**ezoBord**<sup>TM</sup>  
Design Driven Acoustics