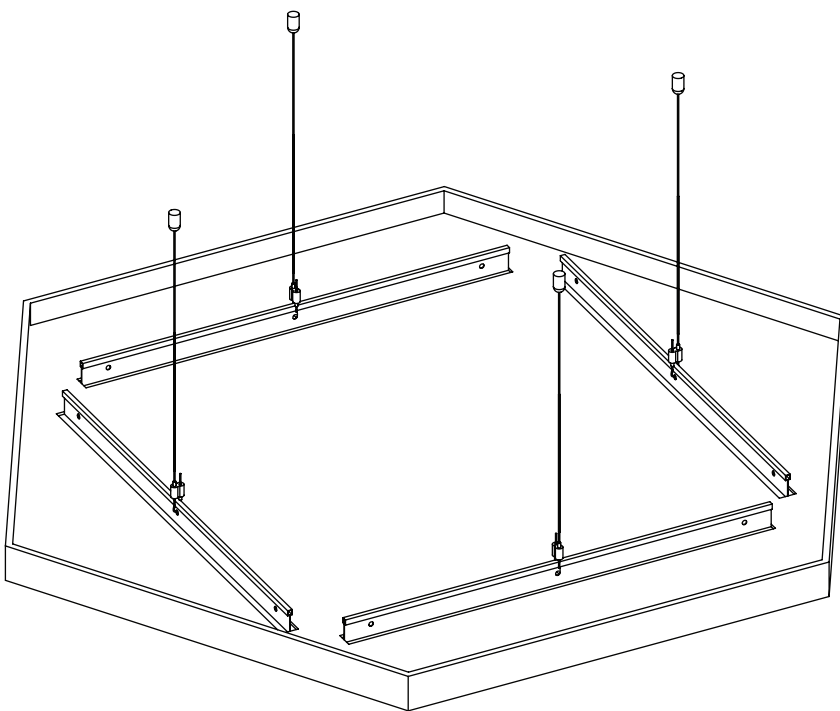


GEO CLOUD



GEO CLOUD



BRASS LOCATOR



TOP CAP
(4M CABLE INCLUDED)



CABLE GRIPPER

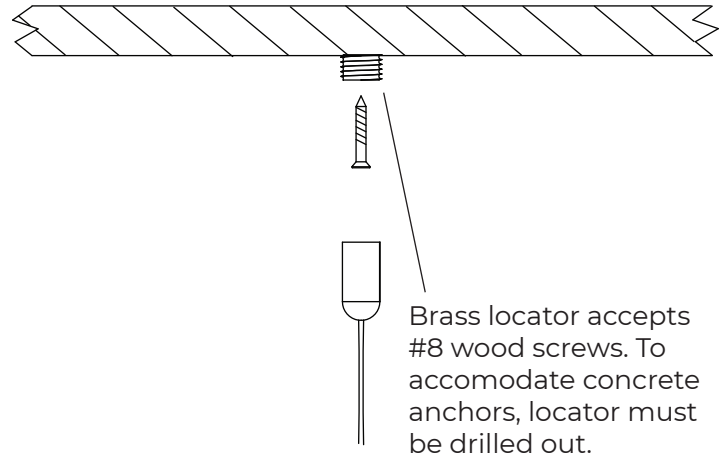
*Images reflect typical hardware options.
Please refer to packing list for items &
quantities specific to your order.

Thank you for your order!

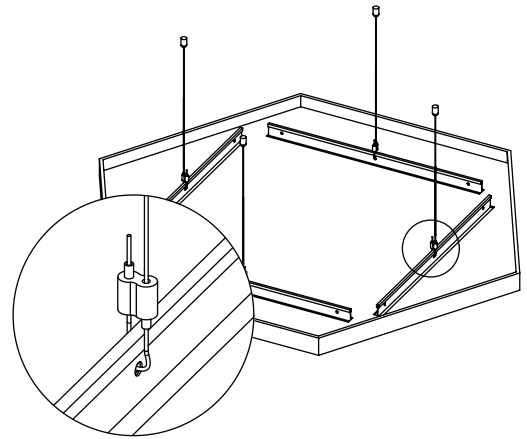
For questions or concerns regarding your order or installation
please contact customer service at 1-844-441-1122 or
via email at sales@ayrsonics.com (Canada) or info@usa.ayrsonics.com (USA)

GEO CLOUD UPPER SUSPENSION HOUSING

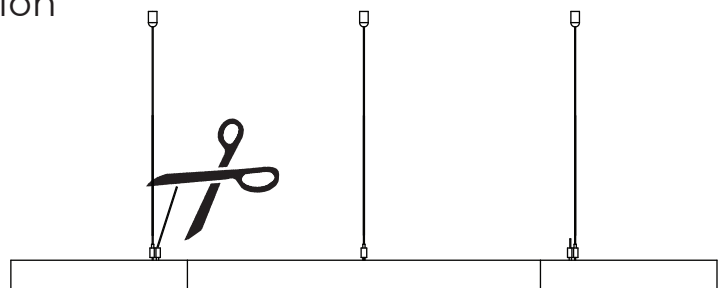
- 1** Locate pick point locations on ceiling
- 2** Mount brass locator securely onto ceiling with substrate appropriate fasteners (not included)
- 3** Thread top cap onto brass locator and tighten by hand only



- 4** With Geo Cloud at approximate suspended height secure each of the cables to cable grippers by threading cable through one side of cable gripper, then through appropriate hole of T Bar and return through opposite side of cable gripper (Depress top and bottom nozzles of cable gripper to allow insertion; release to lock)



- 5** Use level to ensure even distribution among cables
- 6** Trim excess cable



Recommended Tools

Drill
Laser
Level
Tape Measure

ezoBord™

Design Driven Acoustics