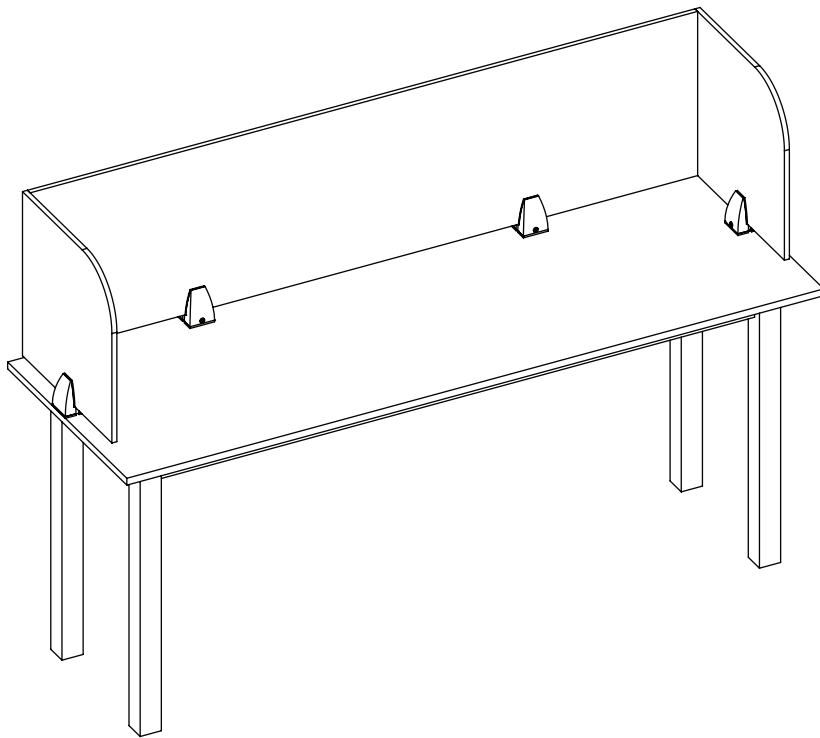


STUDY CARREL/DESK SCREEN



SURFACE MOUNT
SCREEN BRACKET (PJ-3)



SURFACE MOUNT
SCREEN BRACKET (PJ-9)



UNDER MOUNT
SCREEN BRACKET (PJ-4)



SCREEN BRACKET
GASKET



SCREEN BRACKET
MACHINE SCREWS

*Images reflect multiple hardware options. Please refer to packing list for items & quantities specific to your order.

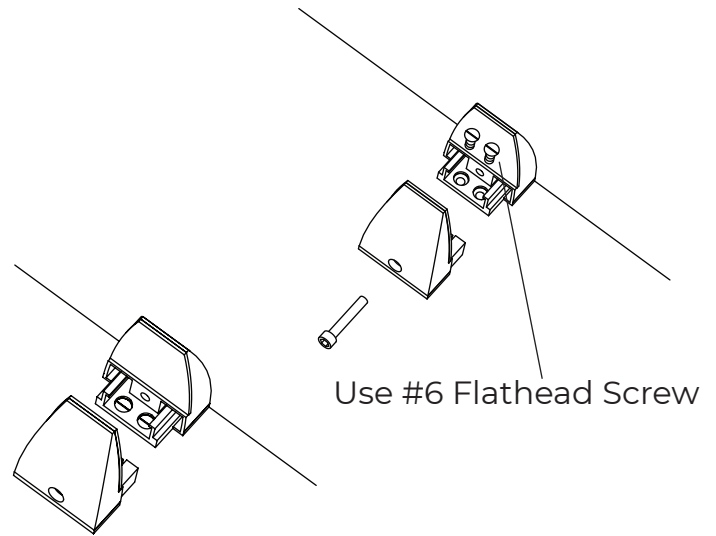
Thank you for your order!

For questions or concerns regarding your order or installation please contact customer service at 1-844-441-1122 or via email at sales@ayrsonics.com (Canada) or info@usa.ayrsonics.com (USA)

STUDY CARREL/DESK SCREEN SURFACE MOUNT BRACKET

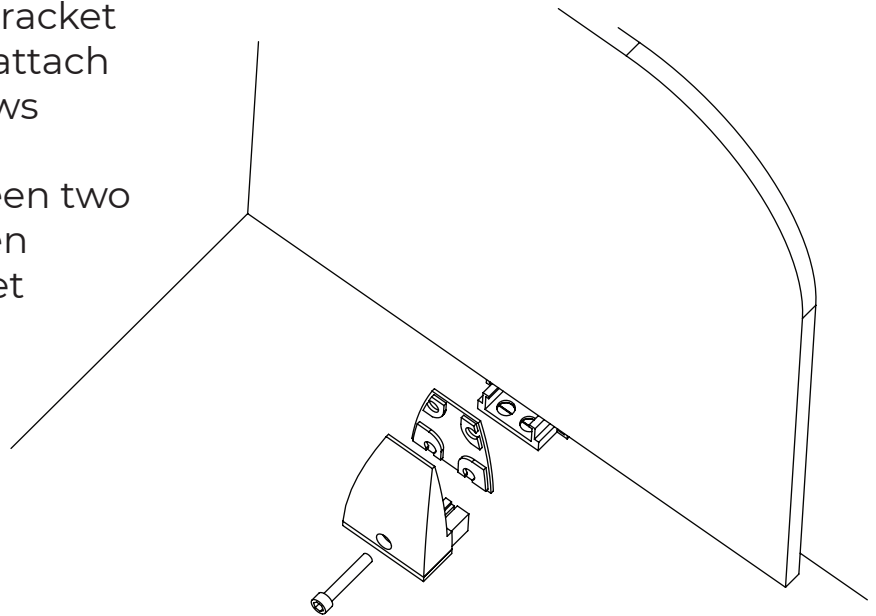
1 Measure out mounting locations (midpoint on sides; inset 12" from edge)

2 Separate 2 sides of bracket and mount to worksurface using substrate appropriate hardware (not included)
Under mount screen bracket mounts below worksurface



3 Replace second side of bracket with gaskets in place and attach loosely with machine screws

4 Place desk screen between two sides of bracket and tighten machine screw into bracket



Recommended Tools

Drill
Tape Measure
Allan Key

ezoBord™

Design Driven Acoustics