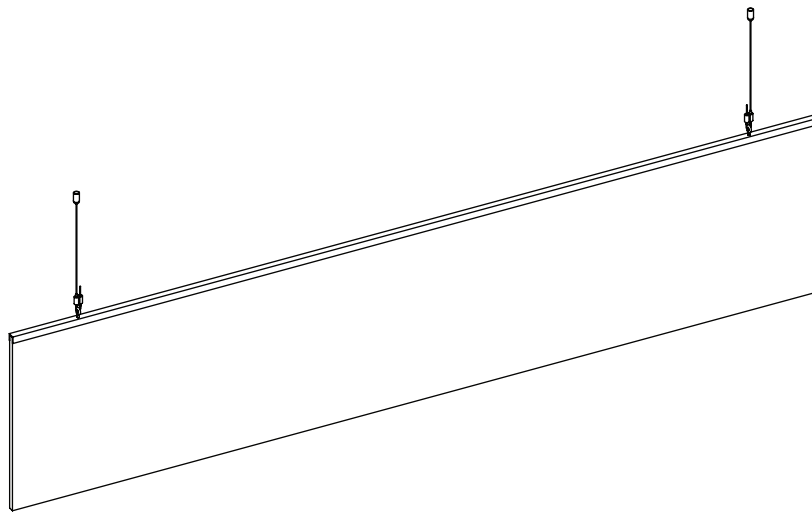


## CURV CEILING BAFFLE



BAFFLE



BRASS LOCATOR



TOP CAP  
(4M CABLE INCLUDED)



CABLE GRIPPER



EYE HOOK

\*Images reflect typical hardware options. Please refer to packing list for items & quantities specific to your order.

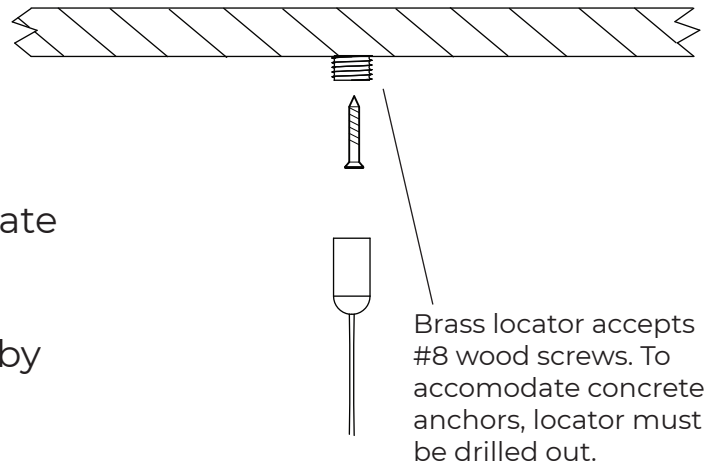
**Thank you for your order!**

For questions or concerns regarding your order or installation  
please contact customer service at 1-844-441-1122 or  
via email at [sales@ayrsonics.com](mailto:sales@ayrsonics.com) (Canada) or [info@usa.ayrsonics.com](mailto:info@usa.ayrsonics.com) (USA)

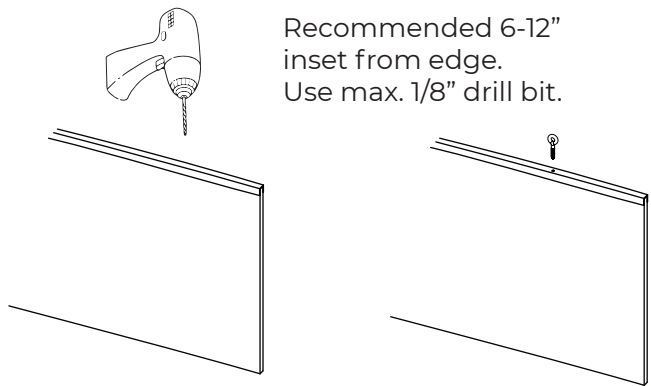
[www.ezobord.com](http://www.ezobord.com)

# CURV CEILING BAFFLE C CHANNEL

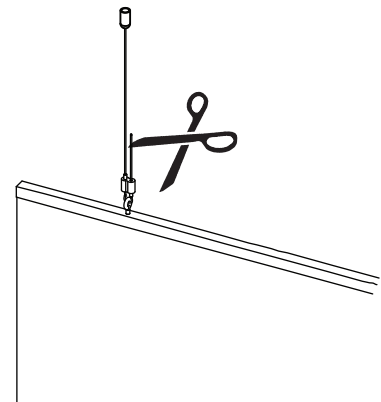
- 1** Locate available suspension points on ceiling in relation to baffle suspension locations
- 2** Mount brass locators securely onto ceiling with substrate appropriate fasteners (not included)
- 3** Thread top cap onto brass locator by hand only



- 4** Determine suspension points on baffle in relation to determined ceiling locations
- 5** Drill pilot holes for the eye hooks into the C-channel
- 6** Thread the eyehook into marked locations in C-channel



- 7** Thread suspended cable through one side of cable gripper, though affixed eye hook, and back through opposite side of cable gripper (Depress top/bottom nozzles to allow cable insertion; release to lock)
- 8** Level baffle using cable grippers and trim excess cable



## Recommended Tools

Drill  
Laser  
Level  
Allen Key  
Tape Measure

ezoBord™  
Design Driven Acoustics