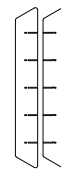
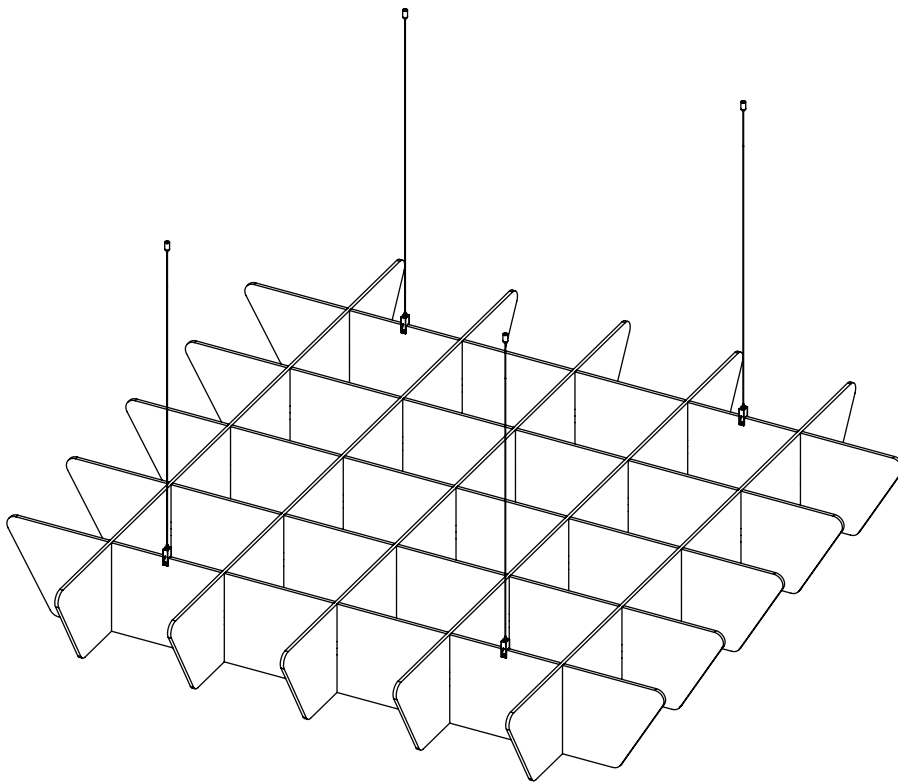


GRID CANOPY/ACOUSTICAL NET



BOTTOM/TOP FINS



BRASS LOCATOR



TOP CAP
(4M CABLE INCLUDED)



EZO CLAMP

*Images reflect typical hardware options. Please refer to packing list for items & quantities specific to your order.

Thank you for your order!

For questions or concerns regarding your order or installation please contact customer service at 1-844-441-1122 or via email at sales@ayrsonics.com (Canada) or info@usa.ayrsonics.com (USA)

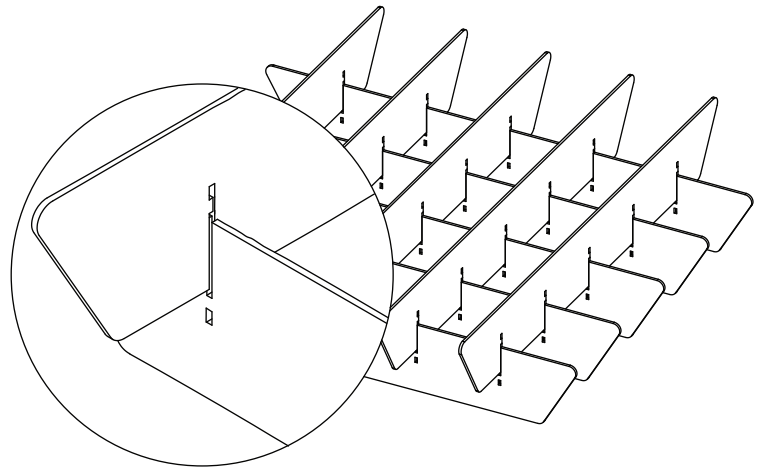
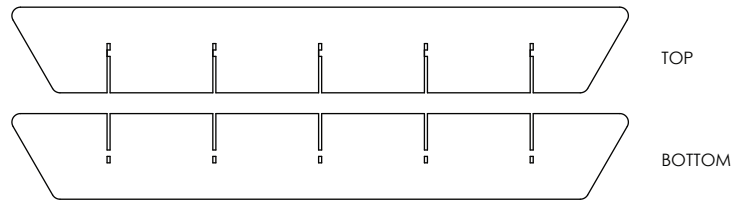
www.ezobord.com

GRID CANOPY/ACOUSTICAL NET EZO CLAMP SUSPENSION

1 Clear appropriate sized floor space below install location
*For multiple modules confirm location with included plans

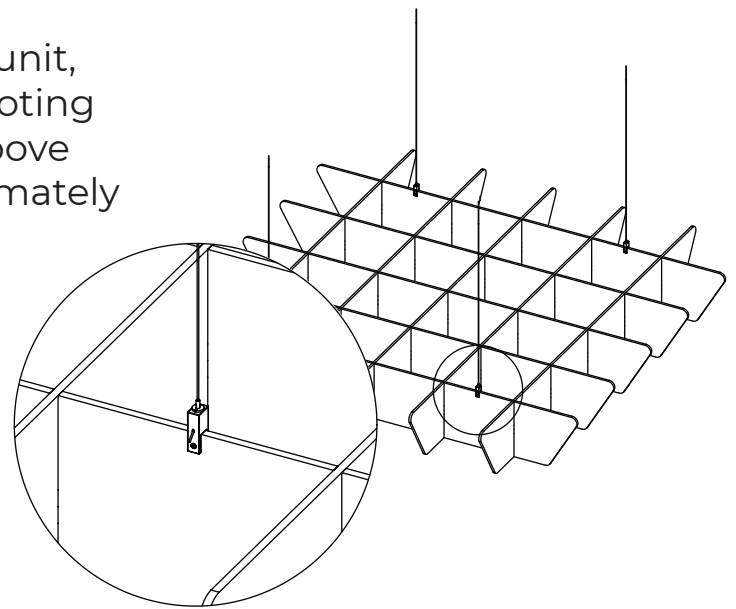
2 Unpackage and arrange fins in X and Y piles

3 Begin assembling units by securing fins X and Y perpendicular to one another. **The completed unit should only be suspended from bottom fins.**



4 Determine suspension points on unit, ensuring these are evenly spaced noting suspension availability on ceiling above (Minimum four points with approximately 1 point per ten square feet)

5 Pre-drill holes for Ezo Clamps onto suspension points



Recommended Tools

Drill
Level
Laser
Tape Measure
Allan Key

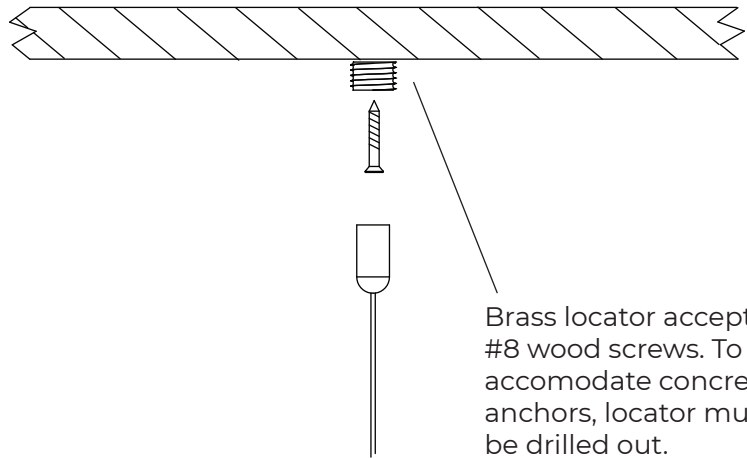
ezoBord™

Design Driven Acoustics

GRID CANOPY/ACOUSTICAL NET EZO CLAMP SUSPENSION

6 Mount brass locators securely to ceiling at locations corresponding to points on unit using substrate appropriate hardware (not supplied)

7 Thread top cap onto brass locator and hand tighten only



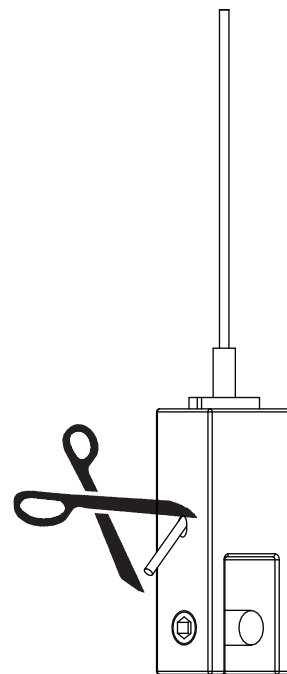
8 Secure Ezo Clamps to predrilled holes

9 Raise unit to suspended cables and insert cables into Ezo Clamp. Depress top nozzle of Ezo Clamp to loosen, cable will lock when released

10 Use Ezo Clamps to level unit
*If overall canopy/net dimensions exceed 8' raise each module separately and secure dovetail ends once level

11 Trim excess cable

12 Manually adjust bottom edges to straighten grid



Recommended Tools

Drill
Level
Laser
Tape Measure
Allan Key

ezoBordTM
Design Driven Acoustics

ezoBord™

Design Driven Acoustics