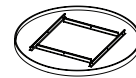
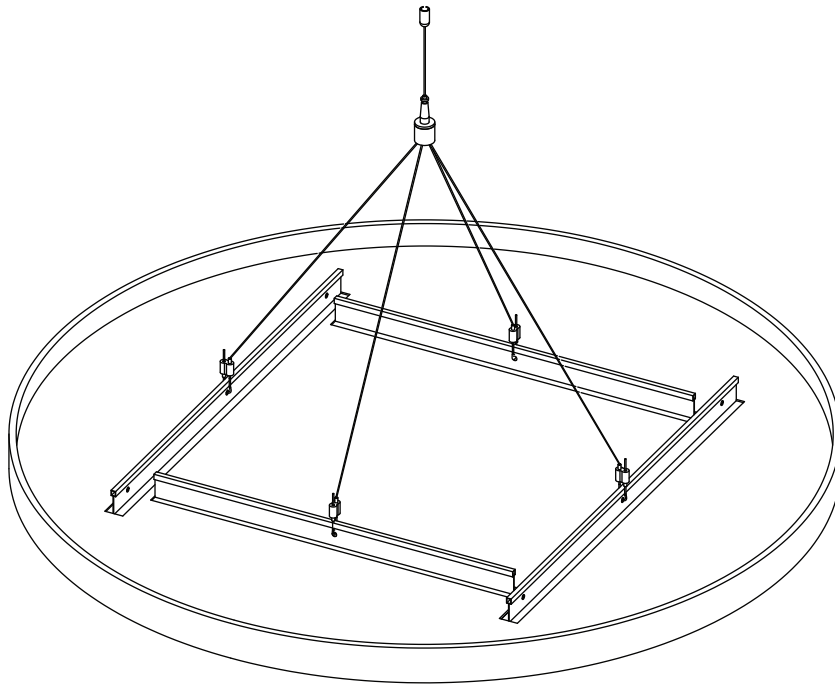


CIRCLE GEO CLOUD



EZO CLOUD



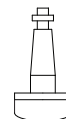
BRASS LOCATOR



UPPER SUSPENSION
HARDWARE



CABLE GRIPPER



FOUR WAY COUPLER

*Images reflect typical hardware options. Please refer to packing list for items & quantities specific to your order.

Thank you for your order!

For questions or concerns regarding your order or installation
please contact customer service at 1-844-441-1122 or
via email at sales@ayrsonics.com (Canada) or info@usa.ayrsonics.com (USA)

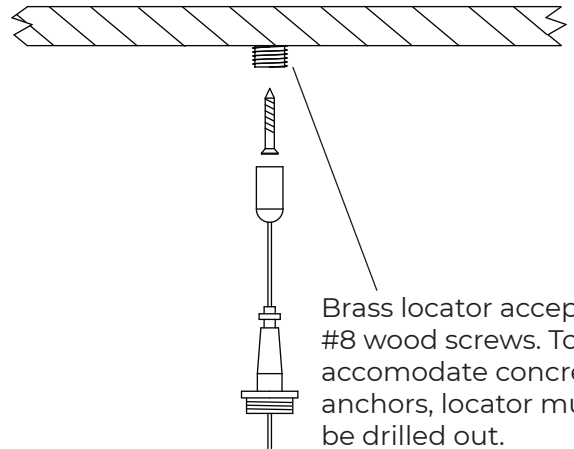
CIRCLE GEO CLOUD FOUR WAY COUPLER

1 Locate pick points and mount brass locator securely onto ceiling with substrate appropriate fasteners (not included)

2 Thread top cap onto brass locator and tighten by hand only

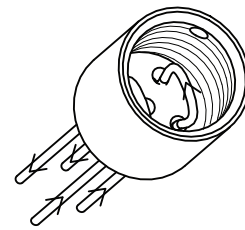
3 Unscrew top and bottom of four way coupler

4 Thread cable from upper suspension housing through upper portion of four way coupler (Depress top nozzle to allow cable insertion, release to lock)



Brass locator accepts #8 wood screws. To accommodate concrete anchors, locator must be drilled out.

5 Thread two lengths of cable evenly through bottom half of coupler (Right)

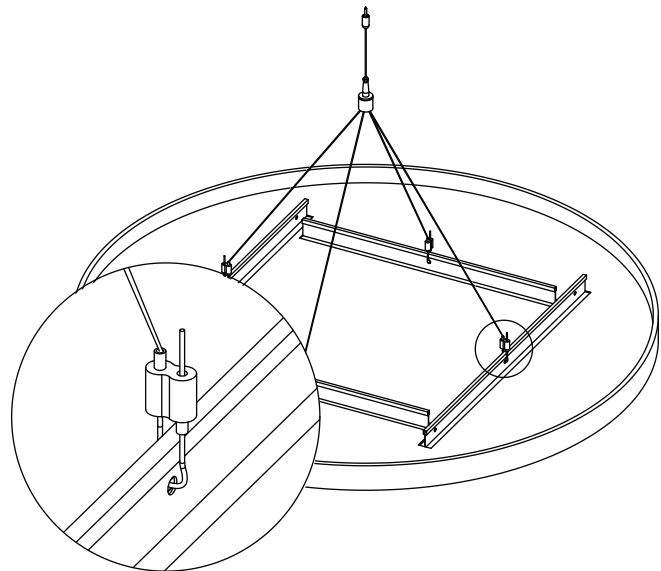


6 Thread one end of cable through one side of cable gripper then through the appropriate hole of T Bar on cloud and return through opposite side of cable gripper (Depress top/bottom nozzles to allow cable insertion; release to lock)

Repeat for all four lengths of cable

7 Tighten cables evenly until cloud is at desired height and level and trim excess cable

9 Lock upper and lower sections of four-way coupler using supplied set screw



Recommended Tools

Drill
Laser
Level
Tape Measure
Allan Key

ezoBord™

Design Driven Acoustics