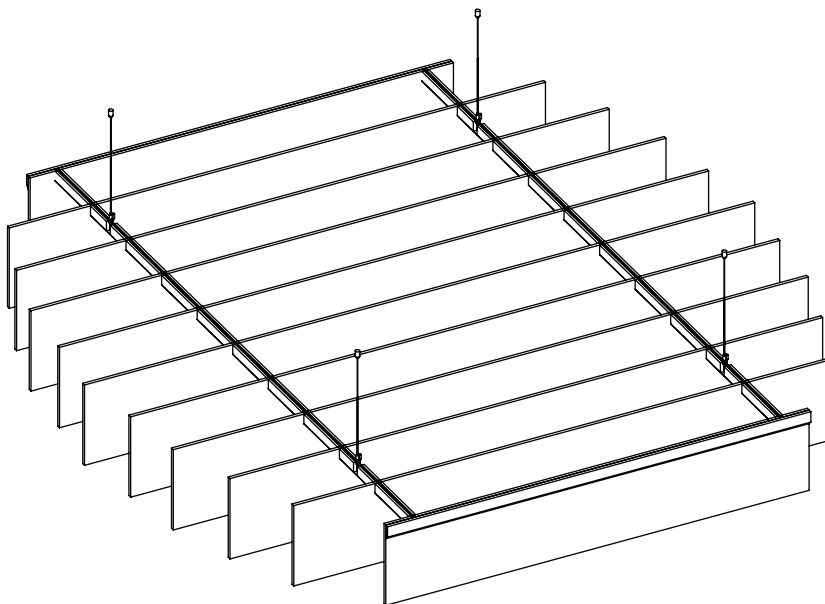


BAFFLE CLOUD



BRASS LOCATOR



TOP CAP
(4M CABLE INCLUDED)



CABLE GRIPPER



BAFFLES



EZO SPACERS



T BAR

*Images reflect typical hardware options. Please refer to packing list for items & quantities specific to your order.

Thank you for your order!

For questions or concerns regarding your order or installation please contact customer service at 1-844-441-1122 or via email at sales@ayrsonics.com (Canada) or info@usa.ayrsonics.com (USA)

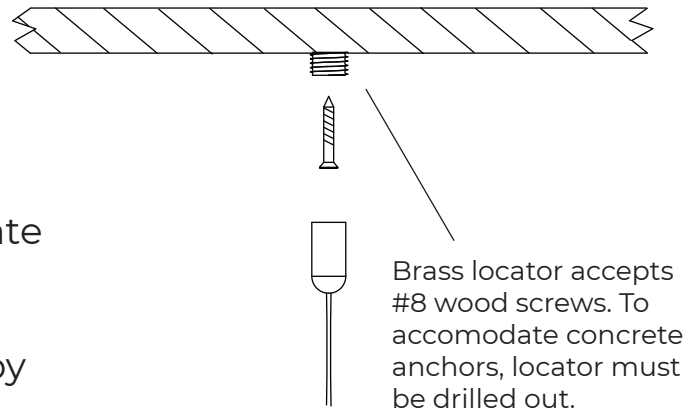
www.ezobord.com

BAFFLE CLOUD T TRACK

1 Locate available suspension points on ceiling in relation to baffle suspension locations

2 Mount brass locators securely onto ceiling with substrate appropriate fasteners (not included)

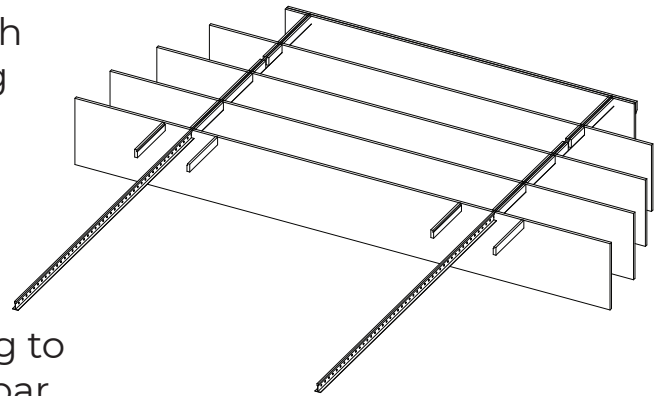
3 Thread top cap onto brass locator by hand only



4 Slide baffles onto t-bar using 'T' cutout on baffle inserting spacers between each baffle on each side of the t-bar, ensuring to remove the tape backer from spacer

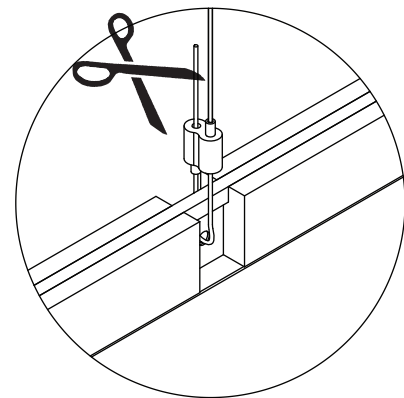
6 Remove tape backer on valance and apply to front and back of baffle cloud

7 Mark locations on cloud corresponding to suspension points and drill holes into t-bar



8 Thread suspended cable through one side of cable gripper, through t-bar, and back through opposite side of cable gripper (Depress top/bottom nozzles to allow cable insertion; release to lock)

9 Level baffle using cable grippers and trim excess cable



Recommended Tools

Drill
Laser
Level
Allen Key
Tape Measure

ezoBord™

Design Driven Acoustics