



# TAPERED & OVAL

GRID CANOPY

ezoBord



Designed by Studio Eagle Architects. Photographed by Will Ellis Photography.

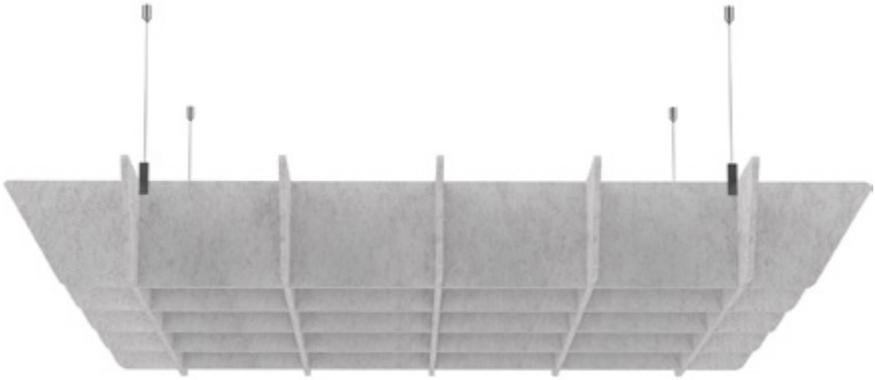
## **Suspended ezobord Grid Canopies bring room acoustics to an entirely new level. Control room reverberation in both monotone and duotone color options.**

A new generation surface material that both absorbs noise and is fully customizable.

Ceiling mounted for both sound absorption and aesthetic purposes, ezoBord Grid Canopies reduce echo and unwanted noise in boardrooms, meeting areas, open plan offices or a variety of public spaces. Grid Canopies assemble in just a few minutes, are super light weight and easy to suspend from any ceiling with several suspension hardware options to choose from.

Made with recycled plastic water bottles.

## STANDARD SHAPES

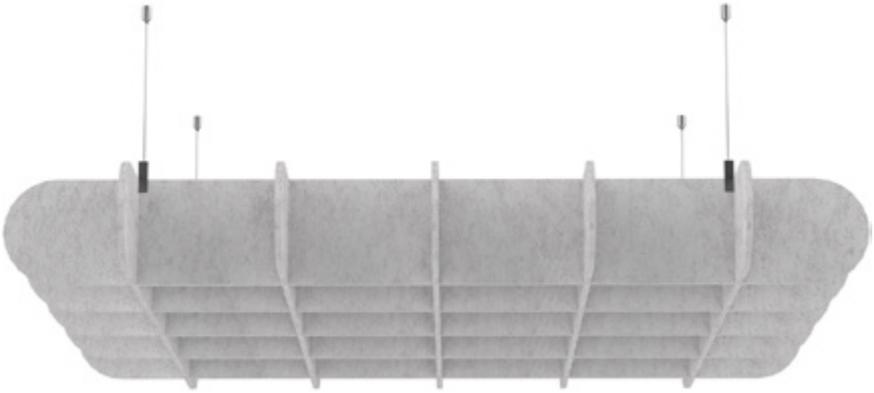


Tapered Grid Canopy

| PART NUMBER     | LENGTH       | WIDTH        | HEIGHT      |
|-----------------|--------------|--------------|-------------|
| wvc-tgd-4848-06 | 48" (1219mm) | 48" (1219mm) | 6" (152mm)  |
| wvc-tgd-4848-10 | 48" (1219mm) | 48" (1219mm) | 10" (254mm) |
| wvc-tgd-4860-06 | 48" (1219mm) | 60" (1524mm) | 6" (152mm)  |
| wvc-tgd-4860-10 | 48" (1219mm) | 60" (1524mm) | 10" (254mm) |
| wvc-tgd-4872-06 | 48" (1219mm) | 72" (1829mm) | 6" (152mm)  |
| wvc-tgd-4872-10 | 48" (1219mm) | 72" (1829mm) | 10" (254mm) |
| wvc-tgd-4884-06 | 48" (1219mm) | 84" (2134mm) | 6" (152mm)  |
| wvc-tgd-4884-10 | 48" (1219mm) | 84" (2134mm) | 10" (254mm) |
| wvc-tgd-4896-10 | 48" (1219mm) | 96" (2438mm) | 6" (152mm)  |
| wvc-tgd-4896-06 | 48" (1219mm) | 96" (2438mm) | 6" (152mm)  |
| wvc-tgd-4896-10 | 48" (1219mm) | 96" (2438mm) | 10" (254mm) |
| wvc-tgd-6060-06 | 60" (1524mm) | 60" (1524mm) | 6" (152mm)  |
| wvc-tgd-6060-10 | 60" (1524mm) | 60" (1524mm) | 10" (254mm) |
| wvc-tgd-7272-06 | 72" (1829mm) | 72" (1829mm) | 6" (152mm)  |
| wvc-tgd-7272-10 | 72" (1829mm) | 72" (1829mm) | 10" (254mm) |
| wvc-tgd-8484-06 | 84" (2134mm) | 84" (2134mm) | 6" (152mm)  |
| wvc-tgd-8484-10 | 84" (2134mm) | 84" (2134mm) | 10" (254mm) |

When ordering, please also indicate grid density (8" or 12") and slab thickness ( $\frac{3}{8}$ " [9mm] or  $\frac{1}{2}$ " [12mm]). Please note that all dimensions are nominal, supplier reserves the right to adjust sizing without prior notification.

## STANDARD SHAPES



Oval Grid Canopy

| PART NUMBER     | LENGTH       | WIDTH        | HEIGHT      |
|-----------------|--------------|--------------|-------------|
| wvc-flb-4848-06 | 48" (1219mm) | 48" (1219mm) | 6" (152mm)  |
| wvc-flb-4848-10 | 48" (1219mm) | 48" (1219mm) | 10" (254mm) |
| wvc-flb-4860-06 | 48" (1219mm) | 60" (1524mm) | 6" (152mm)  |
| wvc-flb-4860-10 | 48" (1219mm) | 60" (1524mm) | 10" (254mm) |
| wvc-flb-4872-06 | 48" (1219mm) | 72" (1829mm) | 6" (152mm)  |
| wvc-flb-4872-10 | 48" (1219mm) | 72" (1829mm) | 10" (254mm) |
| wvc-flb-4884-06 | 48" (1219mm) | 84" (2134mm) | 6" (152mm)  |
| wvc-flb-4884-10 | 48" (1219mm) | 84" (2134mm) | 10" (254mm) |
| wvc-flb-4896-06 | 48" (1219mm) | 96" (2438mm) | 6" (152mm)  |
| wvc-flb-4896-10 | 48" (1219mm) | 96" (2438mm) | 10" (254mm) |
| wvc-flb-6060-06 | 60" (1524mm) | 60" (1524mm) | 6" (152mm)  |
| wvc-flb-6060-10 | 60" (1524mm) | 60" (1524mm) | 10" (254mm) |
| wvc-flb-7272-06 | 72" (1829mm) | 72" (1829mm) | 6" (152mm)  |
| wvc-flb-7272-10 | 72" (1829mm) | 72" (1829mm) | 10" (254mm) |
| wvc-flb-8484-06 | 84" (2134mm) | 84" (2134mm) | 6" (152mm)  |
| wvc-flb-8484-10 | 84" (2134mm) | 84" (2134mm) | 10" (254mm) |

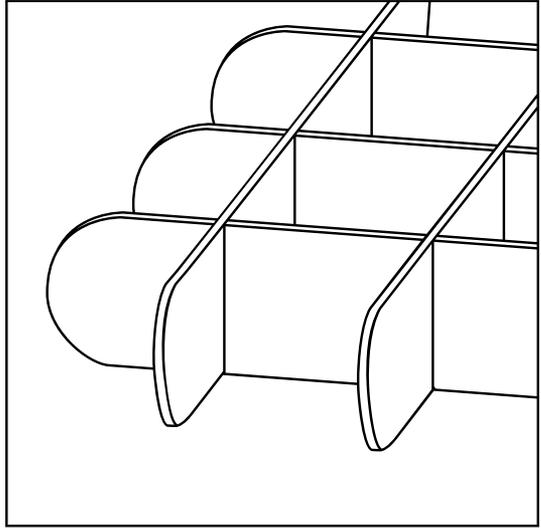
When ordering, please also indicate grid density (8" or 12") and slab thickness ( $\frac{3}{8}$ " [9mm] or  $\frac{1}{2}$ " [12mm]). Please note that all dimensions are nominal, supplier reserves the right to adjust sizing without prior notification.

## COMPONENTS

---

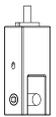


Panels



## RECOMMENDED HARDWARE (NOT INCLUDED)

---



Ezo clamp  
CBG-C Combo



Upper Suspension Housing  
CF6-01



## CUSTOMIZABLE PARAMETERS

### Geometric Properties

Length, width, grid density and slab depth

### Material Thickness

$\frac{3}{8}$ " (9mm) or  $\frac{1}{2}$ " (12mm)

### Color

Each panel can be manufactured with different color

### Digital Print

Custom graphics and textures can be printed on panels

### Scalability

Larger spans can be achieved with invisible joints



Customized by OMICRON AEC.  
Photographed by Upper Left Photography.

## SPECIFICATIONS

---

### End Style

Slabs can tapered or oval.

### Sizes

Available in four lengths:

- 48" (1219mm)
- 60" (1524mm)
- 72" (1829mm)
- 84" (2134mm)

Available in five widths:

- 48" (1219mm)
- 60" (1524mm)
- 72" (1829mm)
- 84" (2134mm)
- 96" (2438mm)

Available in two heights:

- 6" (152mm)
- 10" (254mm)

### Thickness

Available in two thicknesses:

- 3/8" (9mm) | ±0.5mm
- 1/2" (12mm) | ±0.5mm

### Composition

100% PET (min. %50 recycled content)

### Product Variances

Variation in fiber mix and colour may occur. All products will be supplied within commercial tolerances.

### Cleaning

Remove dust & dirt with a stiff plastic bristle brush. Distilled water can be used to remove stains. Use a soft, clean cloth & blot dry. Vacuuming works great as well.

### Fire Testing

- North America:
  - ASTM E-84 Class A\*
  - CAN ULC S102-10
- Europe and UK:
  - EN13501-1: 2007

\* Upon request, 1/2"(12mm) sheet material is treated with USA origin post-production flame retardant to Class A surface burning characteristics. Post sheet production FR treatment does not contain any Red List Restricted Chemicals and complies with California Proposition 65. Contact customer service for technical information, test data and safety data sheets for flame retardant.

### Installation

Shipped flat and easily assembled on site. Grid Canopies can be suspended from open deck ceilings or from standard T bar ceilings with optional adjustable hardware.

### Acoustics

Refer to ASTM C423 test chart for specific absorption rates/frequency.

- 3/8" (9mm): NRC 0.75 (subject to mounting conditions and geometrical properties)
- 1/2" (12mm): NRC 0.85 (subject to mounting conditions and geometrical properties)

### USGBC LEED v4 Credits

While individual products do not 'earn' LEED credits, ezoBord can contribute to the following LEED v4 Credits. Please refer to the USGBC LEED credit guides for detailed requirements.

- EQc9 for enhancing acoustic performance
- MRc3 BPDO for sourcing of raw materials for recycled contribution
- EQc6 interior lighting for surface reflectance (lighter color options).

### Environment

Made of polyester fiber, min. 50% of which comes from recycled water bottles which contributes to LEED MR Credit and BREEAM Health and Wellbeing, Materials points due to recycled content, acoustic performance, and low emitting materials. No VOC's: CDPH v1.2 and REACH SVHC Compliant.



## NOISE REDUCTION - ½" (12mm)

Constructed from  
½" (12mm) ezoBord

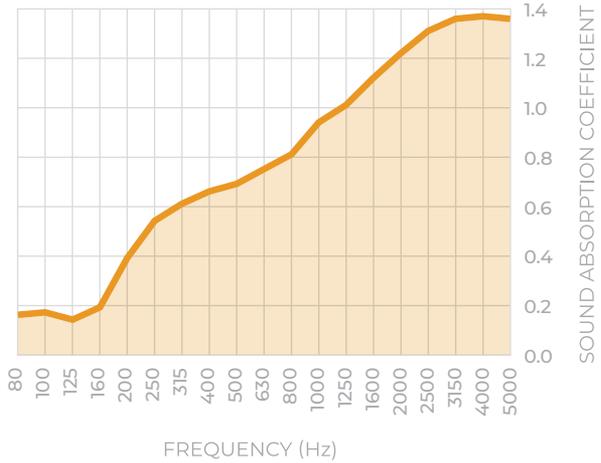
### SOUND ABSORPTION COEFFICIENTS (ASTM C423-17)

| NRC  | SAA  | 125  | 250  | 500  | 1000 | 2000 | 4000 |
|------|------|------|------|------|------|------|------|
| 0.85 | 0.84 | 0.17 | 0.51 | 0.70 | 0.92 | 1.22 | 1.36 |

End Style  
Tapered

Grid Density  
12½" (317.5mm)

Grid Height  
10" (254mm)



## NOISE REDUCTION - ¾" (9mm)

Constructed from  
¾" (9mm) ezoBord

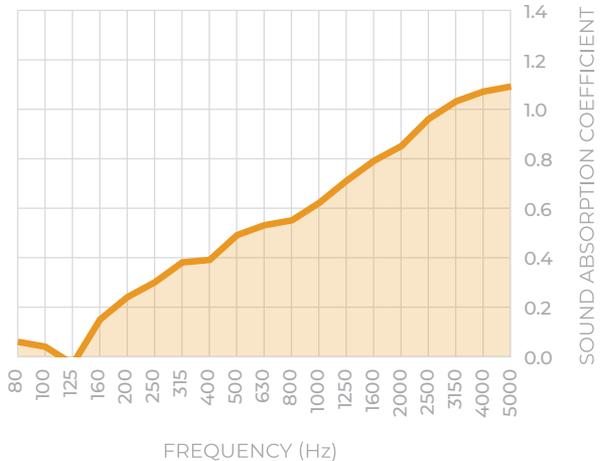
### SOUND ABSORPTION COEFFICIENTS (ASTM C423-17)

| NRC  | SAA  | 125  | 250  | 500  | 1000 | 2000 | 4000 |
|------|------|------|------|------|------|------|------|
| 0.55 | 0.57 | 0.05 | 0.31 | 0.47 | 0.63 | 0.87 | 1.06 |

End Style  
Tapered

Grid Density  
10¾" (263.52mm)

Grid Height  
6" (152.4mm)



## STANDARD COLORS - 3/8" (9mm)

---



PB09  
PURE BLACK



CG06  
CHARCOAL GRAY



ES07  
EBONY SLATE



DG34  
DARK GRAY



SG04  
SILVER GRAY



CW04  
CLASSIC WHITE



LB01  
LIGHT BEIGE



DS10  
DESERT SAND



SD18  
SUNNY DAYS



TO24  
TIGER ORANGE



RR28  
RUBY RED



DP30  
DEEP PURPLE



MN12  
MIDNIGHT NAVY



PI14  
POLAR ICE



GA41  
GREEN APPLE

## STANDARD COLORS - 1/2" (12mm)

---



PB09  
PURE BLACK



CG06  
CHARCOAL GRAY



BG07  
BOLD GRAY



EG11  
ELEPHANT GRAY



SG04  
SILVER GRAY



CW04  
CLASSIC WHITE



DS10  
DESERT SAND



TB35  
TREE BARK



SD18  
SUNNY DAYS



BR34  
BRICK RED



GV36  
GRAPE VINE



RB08  
ROYAL BLUE



PI14  
POLAR ICE



OB14  
OCEAN BLUE



MG10  
MOSS GREEN



## CONNECT WITH US

[www.ezoBord.com](http://www.ezoBord.com)

 [@ezobord](https://www.instagram.com/ezobord)

 [@ezobord](https://twitter.com/ezobord)

 [linkedin.com/company/ezobord](https://www.linkedin.com/company/ezobord)

ezoBord is a registered trademark of iVekter Inc.

## USA

Ayrsonics Midwest LLC  
170 Prairie Lake Rd  
East Dundee, IL 60118  
1-800-517-0686  
[sales@mw.ayrsonics.com](mailto:sales@mw.ayrsonics.com)

## CANADA

Ayrsonics Inc.  
825 Trillium Drive  
Kitchener ON N2R 1J9  
1-844-441-1122  
[sales@ayrsonics.com](mailto:sales@ayrsonics.com)

## UNITED KINGDOM

ezoBord UK LTD  
Unit 20  
Westwood Business Park  
Margate, Kent, CT9 4JJ  
+44 7981 111236  
[sales@ezobord.co.uk](mailto:sales@ezobord.co.uk)